



Diesel Generator Set

mtu 6R0150 DS275

275 kWe/60 Hz/Standby/208 - 600V

Reference **mtu 6R0150 DS275** (250 kWe) for Prime Power for Stationary
Emergency Rating Technical Data



System ratings

Voltage (L-L)	208V	240V	380V	480V	600V
Phase	3	3	3	3	3
PF	0.8	0.8	0.8	0.8	0.8
Hz	60	60	60	60	60
kW	275	275	275	275	275
kVA	344	344	344	344	344
Amps	954	827	522	413	331
skVA@30% voltage dip	608	608	640	809	720
Generator model	432CSL6210	432CSL6210	433CSL6216	432CSL6210	432PSL6246
Temp rise	130 °C/40 °C	130 °C/40 °C	130 °C/40 °C	130 °C/40 °C	130 °C/40 °C
Connection	12 LEAD WYE	12 LEAD DELTA	12 LEAD WYE	12 LEAD WYE	4 LEAD WYE

Certifications and standards

- Emissions
 - EPA Tier 3 certified
 - South Coast Air Quality Management District (SCAQMD)
- Generator set is designed and manufactured in facilities certified to standards ISO 9001:2008 and ISO 14001:2004
- Seismic certification - optional
 - 2021 IBC certification
 - HCAI pre-approval
- UL 2200 - optional
- CSA - optional
 - CSA C22.2 No. 100
 - CSA C22.2 No. 14
- Performance Assurance Certification (PAC)
 - Generator set tested to ISO 8528-5 for transient response
 - Verified product design, quality and performance integrity
 - All engine systems are prototype and factory tested
- Power rating
 - Accepts rated load in one step per NFPA 110
 - Permissible average power output during 24 hours of operation is approved up to 85%.

Standard features*

- Single source supplier
- Global product support
- Two (2) Year/3,000 Hour Basic Limited Warranty
- 6090HF484 diesel engine
 - 9.0 liter displacement
 - Common rail fuel injection
 - 4-cycle
- HVO and GtL fuels meeting fuel specification EN15940
- Engine-generator resilient mounted
- Complete range of accessories
- Cooling system
 - Integral set-mounted
 - Engine-driven fan
- Generator
 - Brushless, rotating field generator
 - 2/3 pitch windings
 - 300% short circuit capability with optional Permanent Magnet Generator (PMG)
- Digital control panel(s)
 - UL recognized, CSA certified, NFPA 110
 - Complete system metering
 - LCD display

Standard equipment*

Engine

- Air cleaner
- Oil pump
- Oil drain extension and shut-off valve
- Full flow oil filter
- Open crankcase ventilation
- Jacket water pump
- Thermostat
- Blower fan and fan drive
- Radiator - unit mounted
- Electric starting motor - 24V
- Governor - electronic isochronous
- Base - formed steel
- SAE flywheel and bell housing
- Charging alternator - 24V
- Battery rack and cables
- Flexible fuel connectors
- Flexible exhaust connection
- EPA certified engine

Generator

- NEMA MG1, IEEE, and ANSI standards compliance for temperature rise and motor starting
- Sustained short circuit current of up to 300% of the rated current for up to 10 seconds
- Self-ventilated and drip-proof
- Superior voltage waveform
- Digital, solid state, volts-per-hertz regulator
- Brushless alternator with brushless pilot exciter
- 4 pole, rotating field
- 130 °C maximum standby temperature rise
- 1-bearing, sealed
- Flexible coupling
- Full amortisseur windings
- 125% rotor balancing
- 3-phase voltage sensing
- ± 1% voltage regulation no load to full load
- 100% of rated load - one step
- 5% maximum total harmonic distortion

Digital control panel(s)

- Digital metering
- Engine parameters
- Generator protection functions
- Engine protection
- CANBus ECU communications
- Windows®-based software
- Multilingual capability
- Communications to remote annunciator
- Programmable input and output contacts
- UL recognized, CSA certified, CE approved
- Event recording
- IP 54 front panel rating with integrated gasket
- NFPA 110 compatible

Application data

Engine

Manufacturer	John Deere
Model	6090HF484
Type	4-cycle
Arrangement	6-inline
Displacement: L (in ³)	9.0 (549)
Bore: cm (in)	11.84 (4.7)
Stroke: cm (in)	13.6 (5.4)
Compression ratio	16:1
Rated rpm	1,800
Engine governor	JDEC
Maximum power: kWm (bhp)	315 (422)
Steady state frequency band	± 0.25%
Air cleaner	dry

Liquid capacity

Total oil system: L (gal)	31 (8.19)
Engine jacket water capacity: L (gal)	16 (4.23)
System coolant capacity: L (gal)	53.5 (14.13)

Electrical

Electric volts DC	24
Cold cranking amps under -17.8 °C (0 °F)	950
Batteries: group size	31
Batteries: quantity	2

Fuel system

Fuel supply connection size	-10 JIC 37° female
Fuel return Connection size	-6 JIC 37° female
Maximum fuel Lift: m (ft)	1.3 (4.4)
Recommended fuel	diesel #2/HVO
Total fuel flow: L/hr (gal/hr)	239.92 (63.38)

Fuel consumption

At 100% of power rating: L/hr (gal/hr)	74.3 (19.6)
At 75% of power rating: L/hr (gal/hr)	64.2 (16.96)
At 50% of power rating: L/hr (gal/hr)	45.5 (12.01)

Cooling - radiator system

Ambient capacity of radiator: °C (°F)	50 (122)
Maximum restriction of cooling air: Intake and discharge side of radiator: kPa (in. H ₂ O)	0.124 (0.5)
Water pump capacity: L/min (gpm)	280 (74)
Heat rejection to coolant: kW (BTUM)	104 (5,920)
Heat rejection to air to air: kW (BTUM)	88 (5,009)
Heat radiated to ambient: kW (BTUM)	34.1 (1,939)
Fan power: kW (hp)	13.9 (18.6)

Air requirements

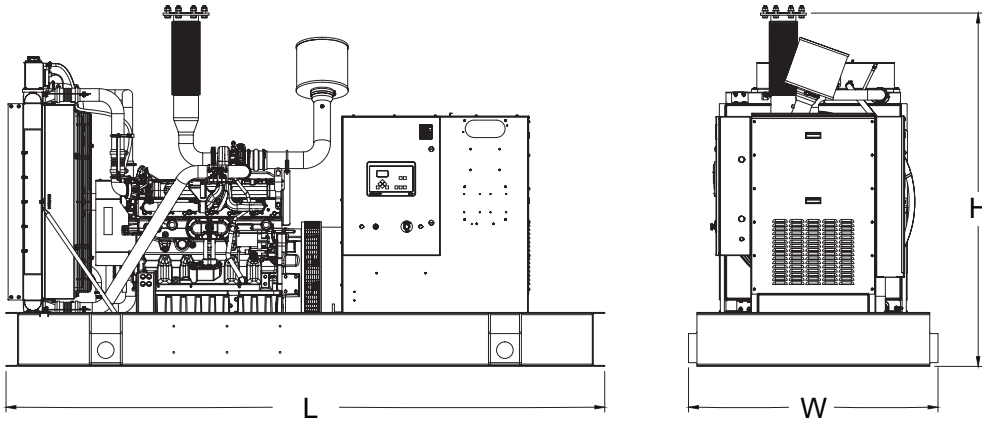
Aspirating: *m ³ /min (SCFM)	25.5 (901)
Air flow required for radiator cooled unit: *m ³ /min (SCFM)	507.6 (17,926)
Remote cooled applications; air flow required for dissipation of radiated generator set heat for a maximum of 25 °F rise: *m ³ /min (SCFM)	123.8 (4,374)

* Air density = 1.184 kg/m³ (0.0739 lbm/ft³)

Exhaust system

Gas temperature (stack): °C (°F)	638 (1,180)
Gas volume at stack temperature: m ³ /min (CFM)	59 (2,084)
Maximum allowable back pressure at outlet of engine, before piping: kPa (in. H ₂ O)	7.5 (30)

Weights and dimensions



Drawing above for illustration purposes only, based on standard open power 480 volt generator set. Lengths may vary with other voltages. Do not use for installation design. See website for unit specific template drawings.

System	Dimensions (L x W x H)	Weight
Open Power Unit (OPU)	3,658 x 1,524 x 2,159 mm (144 x 60 x 85 in)	3,080 kg (6,790 lb)

Weights and dimensions are based on open power units and are estimates only. Consult the factory for accurate weights and dimensions for your specific generator set.

Sound data

Unit type	Standby full load
Level 0 (OPU): dB(A)	84.3

Sound data is provided at 7 m (23 ft). Generator set tested in accordance with ISO 8528-10 and with infinite exhaust.

Emissions data

NO _x + NMHC	CO	PM
4.14	0.32	0.03

All units are in g/hp-hr and shown at 100% load (not comparable to EPA weighted cycle values). Emission levels of the engine may vary with ambient temperature, barometric pressure, humidity, fuel type and quality, installation parameters, measuring instrumentation, etc. The data was obtained in compliance with US EPA regulations. The weighted cycle value (not shown) from each engine is guaranteed to be within the US EPA standards.

Rating definitions and conditions

- Standby ratings apply to installations served by a reliable utility source. The standby rating is applicable to varying loads for the duration of a power outage. No overload capability for this rating. Ratings are in accordance with ISO 8528-1, ISO 3046-1, BS 5514, and AS 2789. Average load factor: ≤ 85%.
- Nominal ratings at standard conditions: 25 °C and 300 meters (77 °F and 1,000 feet).
- Deration factor:
 - Consult your local **mtu** Distributor for altitude derations.
 - Consult your local **mtu** Distributor for temperature derations.