



## Diesel Generator Set

# mtu 4R0113 DS44

40 kVA/50 Hz/Prime Power for Stationary Emergency/220 - 415V  
Reference **mtu 4R0113 DS44** (44 kVA) for Standby Rating Technical Data



### System ratings

Voltage (L-L)	220V	220V	220V	380V	400V	415V
Phase	1	1	3	3	3	3
PF	1	1	0.8	0.8	0.8	0.8
Hz	50	50	50	50	50	50
kW	32	32	32	32	32	32
kVA	32	32	40	40	40	40
Amps	145	149	112	65	62	59
skVA@30% voltage dip	64	112	84	84	93	102
Generator model	361CSL1601	285PSL1711	361CSL1601	361CSL1601	361CSL1601	361PSL1601
Temp rise	125 °C/40 °C	125 °C/40 °C	125 °C/40 °C	125 °C/40 °C	125 °C/40 °C	125 °C/40 °C
Connection	12 LEAD DOUBLE DELTA	4 LEAD	12 LEAD DELTA	12 LEAD WYE	12 LEAD WYE	12 LEAD WYE

### Certifications and standards

- Generator set is designed and manufactured in facilities certified to standards ISO 9001:2008 and ISO 14001:2004
- Seismic certification - optional
  - 2021 IBC certification
- Power rating
  - Accepts rated load in one step per NFPA 110
- Performance Assurance Certification (PAC)
  - Generator set tested to ISO 8528-5 for transient response
  - Verified product design, quality, and performance integrity
  - All engine systems are prototype and factory tested

## Standard features\*

- Single source supplier
- Global product support
- Two (2) Year/3,000 Hour Basic Limited Warranty
- 4045TF280 diesel engine
  - 4.5 liter displacement
  - Mechanical injection pump
  - 4-cycle
- HVO and GtL fuels meeting fuel specification EN15940
- Engine-generator resilient mounted
- Complete range of accessories
- Cooling system
  - Integral set-mounted
  - Engine-driven fan
- Generator
  - Brushless, rotating field generator
  - 2/3 pitch windings
  - 250% short circuit capability with optional Permanent Magnet Generator (PMG)
- Digital control panel(s)
  - CSA certified, NFPA 110
  - Complete system metering
  - LCD display

## Standard equipment\*

### Engine

- Air cleaners
- Oil pump
- Oil drain extension and shut-off valve
- Full flow oil filter
- Fuel filter with water separator
- Jacket water pump
- Thermostat
- Blower fan and fan drive
- Radiator - unit mounted
- Electric starting motor - 12V
- Governor - mechanical droop
- Base - formed steel
- SAE flywheel and bell housing
- Charging alternator - 12V
- Battery box and cables
- Flexible fuel connectors
- Flexible exhaust connection

### Generator

- NEMA MG1, IEEE, and ANSI standards compliance for temperature rise and motor starting
- Self-ventilated and drip-proof
- Superior voltage waveform
- Solid state, volts-per-hertz regulator
- $\pm 1\%$  voltage regulation no load to full load
- Brushless alternator with brushless pilot exciter
- 4 pole, rotating field
- 125 °C maximum prime temperature rise
- 1-bearing, sealed
- Flexible coupling
- Full amortisseur windings
- 125% rotor balancing
- 3-phase voltage sensing
- 100% of rated load - one step
- 5% maximum total harmonic distortion

### Digital control panel(s)

- Digital metering
- Engine parameters
- Generator protection functions
- Engine protection
- Windows®-based software
- Multilingual capability
- Communications to remote annunciator
- Programmable input and output contacts
- UL recognized, CSA certified, CE approved
- Event recording
- IP 54 front panel rating with integrated gasket
- NFPA 110 compatible

\* Represents standard product only. Consult the factory/*mtu* Distributor for additional configurations.

## Application data

### Engine

Manufacturer	John Deere
Model	4045TF280
Type	4-cycle
Arrangement	4-inline
Displacement: L (in <sup>3</sup> )	4.5 (275)
Bore: cm (in)	10.6 (4.19)
Stroke: cm (in)	12.7 (5)
Compression ratio	19:1
Rated rpm	1,500
Engine governor	mechanical droop
Maximum power: kWm (bhp)	44 (59)
Steady state frequency band	± 0.5%
Air cleaner	dry

### Liquid capacity

Total oil system: L (gal)	13 (3.4)
Engine jacket water capacity: L (gal)	8.5 (2.3)
System coolant capacity: L (gal)	18.9 (5)

### Electrical

Electric volts DC	12
Cold cranking amps under -17.8 °C (0 °F)	925
Batteries: group size	31
Batteries: quantity	1

### Fuel system

Fuel supply connection size	3/8" NPT
Fuel return connection size	3/8" NPT
Maximum fuel lift: m (ft)	1.8 (6)
Recommended fuel	diesel #2/HVO
Total fuel flow: L/hr (gal/hr)	113 (29.9)

### Fuel consumption

At 100% of power rating: L/hr (gal/hr)	12.5 (3.3)
At 75% of power rating: L/hr (gal/hr)	9.8 (2.6)
At 50% of power rating: L/hr (gal/hr)	6.9 (1.8)

### Cooling - radiator system

Ambient capacity of radiator: °C (°F)	50 (122)
Maximum restriction of cooling air: intake and discharge side of radiator: kPa (in. H <sub>2</sub> O)	0.12 (0.5)
Water pump capacity: L/min (gpm)	144 (38)
Heat rejection to coolant: kW (BTUM)	29 (1,651)
Heat radiated to ambient: kW (BTUM)	5.5 (314)
Fan power: kW (hp)	1.08 (1.45)

### Air requirements

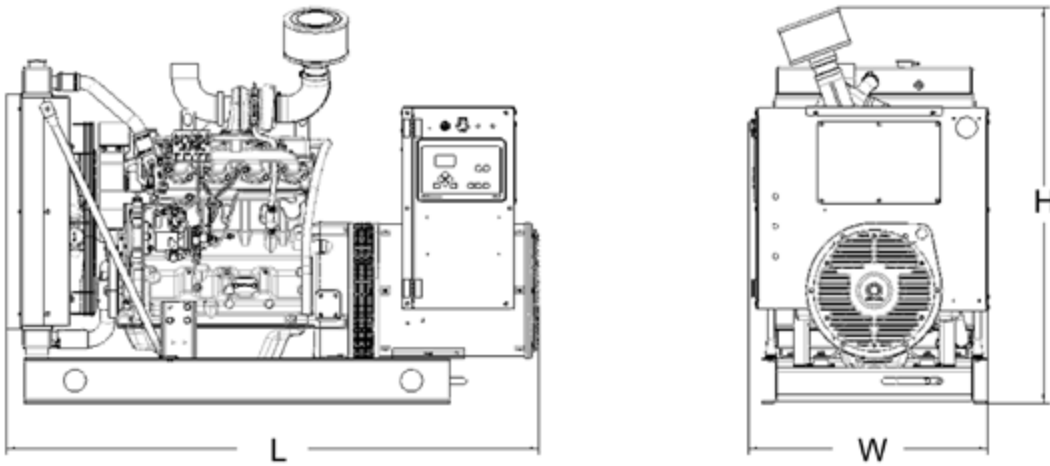
Aspirating: *m <sup>3</sup> /min (SCFM)	3.7 (131)
Air flow required for radiator cooled unit: *m <sup>3</sup> /min (SCFM)	117 (4,095)
Remote cooled applications; air flow required for dissipation of radiated generator set heat for a maximum of 25 °F rise: *m <sup>3</sup> /min (SCFM)	20.2 (709)

\* Air density = 1.184 kg/m<sup>3</sup> (0.0739 lbm/ft<sup>3</sup>)

### Exhaust system

Gas temperature (stack): °C (°F)	542 (1,008)
Gas volume at stack temperature: m <sup>3</sup> /min (CFM)	8.7 (307)
Maximum allowable back pressure at outlet of engine, before piping: kPa (in. H <sub>2</sub> O)	3.6 (14)
Minimum allowable back pressure: kPa (in. H <sub>2</sub> O)	N/A

## Weights and dimensions



Drawing above for illustration purposes only, based on standard open power 400 volt generator set. Lengths may vary with other voltages. Do not use for installation design. See website for unit specific template drawings.

System	Dimensions (L x W x H)	Weight
Open Power Unit (OPU)	1,781 x 800 x 1,321 mm (70.1 x 31.5 x 52 in)	943-1,404 kg (2,078-3,095 lb)

Weights and dimensions are based on open power units and are estimates only. Consult the factory for accurate weights and dimensions for your specific generator set.

## Sound data

Unit type	Prime full load
Level 0 (OPU): dB(A)	78.1

Sound data is provided at 7 m (23 ft). Generator set tested in accordance with ISO 8528-10 and with infinite exhaust.

## Emissions data

NO <sub>x</sub> + NMHC	CO	PM
N/A	N/A	N/A

All units are in g/hp-hr and at 100% load. Emission levels of the engine may vary with ambient temperature, barometric pressure, humidity, fuel type and quality, installation parameters, measuring instrumentation, etc. The data was obtained in compliance with US EPA regulations.

## Rating definitions and conditions

- Prime Power for Stationary Emergency ratings apply to installations served by a reliable utility source. At varying load, the number of generator set operating hours is unlimited. A 10% overload capacity is available for one hour in twelve. Ratings are in accordance with ISO 8528-1, overload power in accordance with ISO 3046-1, BS 5514, and AS 2789. Average load factor: ≤ 75%.
- Nominal ratings at standard conditions: 25 °C and 300 meters (77 °F and 1,000 feet).
- Deration factor:
  - Consult your local **mtu** Distributor for altitude derations.
  - Consult your local **mtu** Distributor for temperature derations.

N/A = Not Available