



Diesel Generator Set

mtu 6R0120 DS180

163 kWe/60 Hz/Prime/208 - 600V

Reference **mtu 6R0120 DS180 (180 kWe)** for Standby Rating Technical Data

System ratings

Voltage (L-L)	240V †	240V †	208V †	240V †	380V †	480V †	600V
Phase	1	1	3	3	3	3	3
PF	1	1	0.8	0.8	0.8	0.8	0.8
Hz	60	60	60	60	60	60	60
kW	163	163	163	163	163	163	163
kVA	163	163	204	204	204	204	204
Amps	679	679	566	490	310	246	196
skVA@30% voltage dip	268	366	339	339	362	451	375
Generator model	432CSL6210	432PSL6228	431CSL6204	431CSL6204	431CSL6206	431CSL6204	431PSL6242
Temp rise	105 °C/40 °C	105 °C/40 °C	105 °C/40 °C	105 °C/40 °C	105 °C/40 °C	105 °C/40 °C	105 °C/40 °C
Connection	12 LEAD DOUBLE DELTA	4 LEAD	12 LEAD WYE	12 LEAD DELTA	12 LEAD WYE	12 LEAD WYE	4 LEAD WYE

† UL 2200 offered

Certifications and standards

- Emissions
 - EPA Tier 3 certified
 - South Coast Air Quality Management District (SCAQMD)
- Generator set is designed and manufactured in facilities certified to standards ISO 9001:2008 and ISO 14001:2004
- Seismic certification – optional
 - 2021 IBC certification
 - HCAI pre-approval
- Power rating
 - Accepts rated load in one step per NFPA 110
- UL 2200 – optional (refer to *System ratings* for availability)
- CSA – optional
 - CSA C22.2 No. 100
 - CSA C22.2 No. 14
- CE marking provided
- Performance Assurance Certification (PAC)
 - Generator set tested to ISO 8528-5 for transient response
 - Verified product design, quality and performance integrity
 - All engine systems are prototype and factory tested

Standard features*

- Single source supplier
- Global product support
- Two (2) Year/3,000 Hour Basic Limited Warranty
- OM926LA diesel engine
 - 7.2 liter displacement
 - 4-cycle
- Engine-generator resilient mounted
- Complete range of accessories
- Cooling system
 - Integral set-mounted
 - Engine-driven fan
- Generator
 - Brushless, rotating field generator
 - 2/3 pitch windings
 - 300% short circuit capability with optional Permanent Magnet Generator (PMG)
- Digital control panel(s)
 - UL recognized, CSA certified, NFPA 110
 - Complete system metering
 - LCD display

Standard equipment*

Engine

- Air cleaners
- Oil pump
- Oil drain extension and shut-off valve
- Full flow oil filter
- Fuel filter with water separator
- Jacket water pump
- Thermostat
- Blower fan and fan drive
- Radiator - unit mounted
- Electric starting motor - 12V
- Governor - electronic isochronous
- Base - formed steel
- SAE flywheel and bell housing
- Charging alternator - 12V
- Battery box and cables
- Flexible fuel connectors
- Flexible exhaust connection
- EPA certified engine

Generator

- NEMA MG1, IEEE, and ANSI standards compliance for temperature rise and motor starting
- Self-ventilated and drip-proof
- Superior voltage waveform
- Solid state, volts-per-hertz regulator
- $\pm 1\%$ voltage regulation no load to full load
- Brushless alternator with brushless pilot exciter
- 4 pole, rotating field
- 105 °C maximum prime temperature rise
- 1-bearing, sealed
- Flexible coupling
- Full amortisseur windings
- 125% rotor balancing
- 3-phase voltage sensing
- 100% of rated load - one step
- 5% maximum total harmonic distortion

Digital control panel(s)

- Digital metering
- Engine parameters
- Generator protection functions
- Engine protection
- SAE J1939 Engine ECU Communications
- Windows®-based software
- Multilingual capability
- Communications to remote annunciator
- Programmable input and output contacts
- UL recognized, CSA certified, CE approved
- Event recording
- IP 54 front panel rating with integrated gasket
- NFPA 110 compatible

Application data

Engine

Manufacturer	Mercedes-Benz
Model	OM926LA
Type	4-cycle
Arrangement	6-inline
Displacement: L (in ³)	7.2 (439)
Bore: cm (in)	10.6 (4.17)
Stroke: cm (in)	13.6 (5.35)
Compression ratio	17.5:1
Rated rpm	1,800
Engine governor	MR2 / CPC4-ECAN
Maximum power: kWm (bhp)	225 (302)
Steady state frequency band	± 0.25%
Air cleaner	dry

Liquid capacity

Total oil system: L (gal)	29 (7.7)
Engine jacket water capacity: L (gal)	10 (2.6)
System coolant capacity: L (gal)	24.1 (6.4)

Electrical

Electric volts DC	12
Cold cranking amps under -17.8 °C (0 °F)	950
Batteries: group size	31
Batteries: quantity	1

Fuel system

Fuel supply connection size	-6 JIC
Fuel supply hose size	3/8" ID
Fuel return connection size	-6 JIC
Fuel return hose size	3/8" ID
Maximum fuel lift: m (ft)	2.6 (8.5)
Recommended fuel	diesel #2
Total fuel flow: L/hr (gal/hr)	330.5 (87.3)

Fuel consumption*

At 100% of power rating: L/hr (gal/hr)	44.7 (11.8)
At 75% of power rating: L/hr (gal/hr)	32.2 (8.5)
At 50% of power rating: L/hr (gal/hr)	22 (5.8)

* Based on 431CSL6204 480 volt generator set

Cooling - radiator system

Ambient capacity of radiator: °C (°F)	50 (122)
Maximum restriction of cooling air: intake and discharge side of radiator: kPa (in. H ₂ O)	0.12 (0.5)
Water pump capacity: L/min (gpm)	143 (37)
Heat rejection to coolant: kW (BTUM)	82.4 (4,686)
Heat rejection to air to air: kW (BTUM)	52.7 (2,997)
Heat radiated to ambient: kW (BTUM)	32.9 (1,871)
Fan power: kW (hp)	15.6 (22.1)

Air requirements

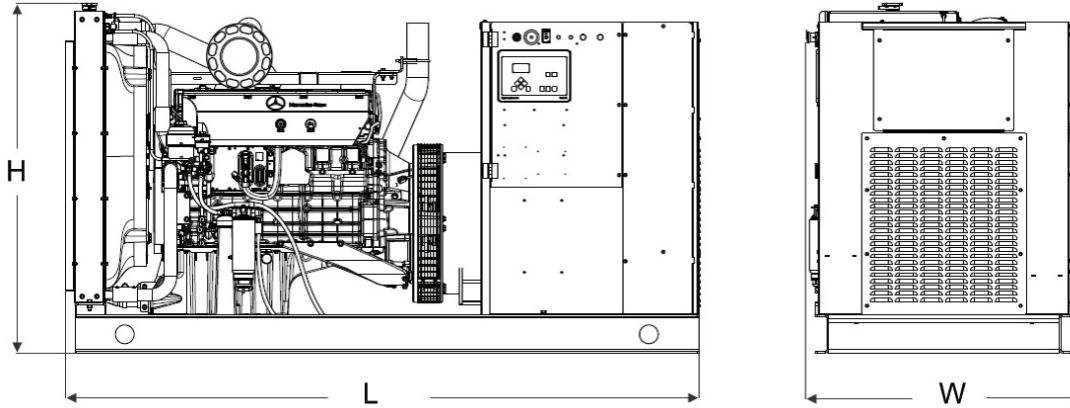
Aspirating: *m ³ /min (SCFM)	13.9 (491)
Air flow required for radiator cooled unit: *m ³ /min (SCFM)	408 (14,408)
Remote cooled applications; air flow required for dissipation of radiated generator set heat for a maximum of 25 °F rise: *m ³ /min (SCFM)	120.2 (4,245)

* Air density = 1.184 kg/m³ (0.0739 lbm/ft³)

Exhaust system

Gas temperature (stack): °C (°F)	457 (855)
Gas volume at stack temperature: m ³ /min (CFM)	40.9 (1,444)
Maximum allowable back pressure at outlet of engine, before piping: kPa (in. H ₂ O)	10.5 (42)

Weights and dimensions



Drawing above for illustration purposes only, based on standard open power 480 volt generator set. Lengths may vary with other voltages. Do not use for installation design. See website for unit specific template drawings.

System	Dimensions (L x W x H)	Weight
Open Power Unit (OPU)	2,580 x 1,121 x 1,422 mm (101.6 x 44.1 x 56 in)	1,632-2,120 kg (3,598-4,674 lb)

Weights and dimensions are based on open power units and are estimates only. Consult the factory for accurate weights and dimensions for your specific generator set.

Sound data

Unit type	Prime full load
Level 0 (OPU): dB(A)	88.8

Sound data is provided at 7 m (23 ft). Generator set tested in accordance with ISO 8528-10 and with infinite exhaust.

Emissions data

NO _x + NMHC	CO	PM
3.93	1.2	0.06

- All units are in g/hp-hr and shown at 100% load (not comparable to EPA weighted cycle values). Emission levels of the engine may vary with ambient temperature, barometric pressure, humidity, fuel type and quality, installation parameters, measuring instrumentation, etc. The data was obtained in compliance with US EPA regulations. The weighted cycle value (not shown) from each engine is guaranteed to be within the US EPA standards.

Rating definitions and conditions

- Prime power ratings apply to installations where utility power is unavailable or unreliable. At varying load, the number of generator set operating hours is unlimited. A 10% overload capacity is available for one hour in twelve. Ratings are in accordance with ISO 8528-1, overload power in accordance with ISO 3046-1, BS 5514, and AS 2789. Average load factor: ≤ 75%.
- Nominal ratings at standard conditions: 25 °C and 300 meters (77 °F and 1,000 feet).
- Deration factor:
 - Consult your local **mtu** Distributor for altitude derations.
 - Consult your local **mtu** Distributor for temperature derations.