



Diesel Generator Set

mtu 10V1600 DS500

400 – 230 V/507 kVA/50 Hz/standby power/series 1600 – 10V1600



Optional equipment shown. Standard equipment may vary.

Product highlights

Benefits

- Industry-leading average load factor
- Low fuel consumption
- Emissions optimizations available
- High availability and reliability
- Outstanding load acceptance
- Long maintenance intervals

Support

- Global product support offered

Standards

- Engine-generator set is designed and manufactured in facilities certified to standards ISO 2008:9001
- Generator set complies to ISO 8528 and fullfills performance level G3
- Generator meets BS5000; NEMA MG 1; ISO; DIN EN and IEC standards

Available optimizations

- Exhaust emission EU 97/68 EC Stage III A
- NEA Singapore for off road diesel engines (ORDE)
- ARAI CPCB Stage II
- Fuel consumption optimized

Wide standard scope of supply

- 4P circuit breaker
- Island operation control panel
- Integrated fuel tank
- Industrial silencer (15 dB(A))
- Batteries & battery charger

Complete range of accessories available

- Sound attenuated enclosure
- Fuel system accessories
- Control panel & ATS
- Range of additional electronical options

Warranty

- Standard 36 months warranty after shipment



A Rolls-Royce
solution

Application data ¹⁾

Engine

Manufacturer	mtu
Model	10V1600G70F
Type	4-cycle
Arrangement	10V
Displacement: l	17.5
Bore: mm	122
Stroke: mm	150
Compression ratio	17.5
Rated rpm	1500
Engine governor	ECU 8
Gross power: kWm	448
Air cleaner	dry

Fuel system

Max. fuel flow: l/hr	342
Fuel tank capacity: OPU (EPU) in l	740 (740)
Autonomy: hr	9

Fuel consumption

At 100% of power rating:	l/hr
	108.87

Liquid capacity

Total oil system: l	60.5
Total coolant capacity: l	94

Generator

Generator brand	Mecc-Alte
Generator type	HM355A3
Insulation class	H-class
Bearing	single bearing
Enclosure	IP23 M
Voltage regulation	A.V.R. (electronic)
Exciting system	self-excited, brushless

Electrical

Electric system volts DC	24
Number of batteries	2
Capacity: Ah	2x 75

Air requirements

Aspirating: m ³ /min	27
Cooling air flow: m ³ /s	10.9

Exhaust system

Gas temp. (stack): °C	520
Gas volume at stack temp.: m ³ /min	75
Maximum allowable back pressure: kPa	15

Cooling/radiator system

Ambient capacity of radiator: OPU (EPU) in °C	50 (50)
Pressure on rad. exhaust: kPa	0.2
Heat rejection to coolant: kW	216

Standard and optional features

System ratings (kW/kVA)

	10V1600 DS500
	Standby operation
Voltage	400 V
Phase	Three phase
Hz	50
kWel*	404.8
kVA**	506
Rated AMPS	730.3

* cos phi = 1,0

** cos phi = 0,8 Also available for following voltages 380V & 415V - for details please contact your local **mtu** dealer.

Standard and optional features

Engine

- 4- strokes diesel engine
- Flywheel housing SAE 1
- Flywheel 14"
- Four-valve, overhead camshaft
- Piston cooling via oil spray nozzle
- Forged crankshaft & connecting rods
- Oil pan
- Lube oil circulation pump
- Dry exhaust manifolds
- Hot components and radiator guards
- Mobile components guards
- Lube oil filter

Fuel system

- Fuel main filter
- Fuel pre-filter with water separator
- Common rail fuel injection
- Integrated fuel tank (level sensor and drain cap incl.)
- Automatic fuel transfer pump
- Heavy-duty fuel pre-filter with water separator
- 3-way valve for fuel filling
- Fuel cooler

Generator

- 3-Phase, synchronos, brushless, self exciting, self regulating, self ventilating alternator
- Winding temperature sensors
- IP23 M protection degree
- IP23 protection cover
- Bearing temperature sensors
- Insulation class H
- Anti condensation heater
- Permanent magnet

Control panel & electric options

- Control and power electric panel, with measurements devices and controller
- ATS (Automatic Transfer Switch)
- Control version for parallel operation
- Control version for synchronizing a single genset with mains
- Programmable timer for MM7 and MC7
- Remote display
- Expansion module for CAN communication
- Change over power supply for MC7
- Input output/LED expansion modules for DeepSea controllers
- ModBus connection to customer systems TCP/IP
- Control version for synchronizing with mains without blackout
- Converter kits CAN to RS485/USB/LAN

Circuit breaker/power distribution

- 4 poles manual circuit breaker (motorized with DeepSea controllers)

Starting/charging system

- 24V electric system
- Starting batteries installed
- Pre-heating resistance/jacket water heater
- Battery charging alternator
- Battery disconnecter
- Battery charger

■ Represents standard features

□ Represents optional features

Standard and optional features

Air intake system

- Exhaust turbochargers
- Set of dry-type air filters with containment indicator
- Intercooler, integrated in radiator
- Heavy duty air filter with automatic dust evacuation

Exhaust system

- Industrial silencer 15 dB(A)
- Residential silencer 35 dB(A)
- Exhaust bellows

Cooling system

- Coolant circulation pump
- Front type radiator for jacket water and charge aircooling circuit with integrated expansion tank
- Engine mounted fan drive

Mounting system

- Mounted on steel base frame
- Resilient mounting of engine and generator

Enclosures

- Sound proof enclosure
- Socket box
- Increased fuel tank capacity

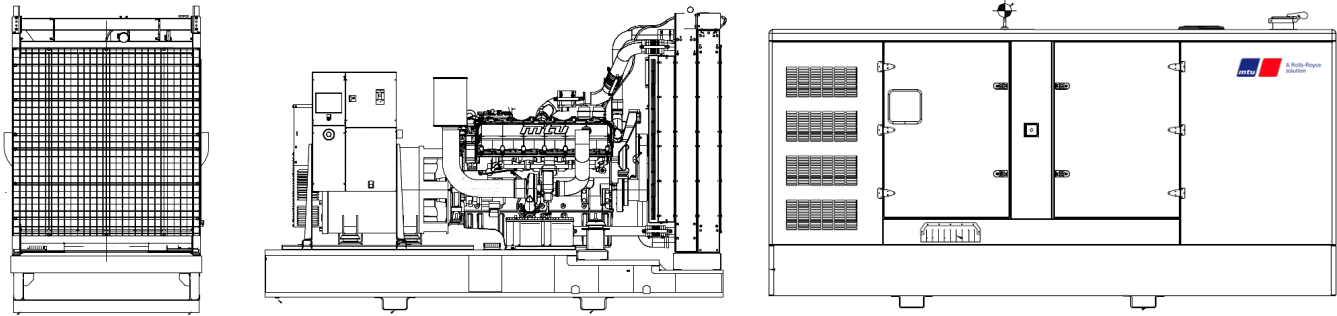
Documentation & certifications

- Genset & component manuals
- Maintenance schedule
- CE-certification for EU
- Fluids and lubricants specification

Represents standard features

Represents optional features

Weights and dimensions



Drawing above for illustration purposes only, based on standard open power 400 Volt engine-generator set. Lengths may vary with other voltages. Do not use for installation design. See website for unit specific template drawings.

System	Dimensions (LxWxH)	Weight (wet/with standard accessories)
Open power unit (OPU)	3600 x 1604 x 2121 mm	3872 kg
Enclosed power unit	4500 x 1800 x 2340 mm	5582 kg

Consult the factory for accurate weights and dimensions for your specific engine-generator set. Lengths may vary with other voltages. Do not use for installation design.

Sound data

Unit type	
Open power unit: dB(A)	104
Enclosed power unit: dB(A)	79

According to 2000/14/CE.
Sound data is provided at 1m for 75% prime power.

Rating definitions and conditions

- Standby ratings apply to installations served by a reliable utility source. The standby rating is applicable to varying loads for the duration of a power outage. No overload capability for this rating. Ratings are in accordance with ISO 8528-1, ISO 3046-1, BS 5514, AS 2789 and DIN 6271. Average load factor: < 85%, max. 500h/year.
- Consult your local **mtu** distributor for derating information.

Rated power for reference conditions at 25°C and 100m above sea level.